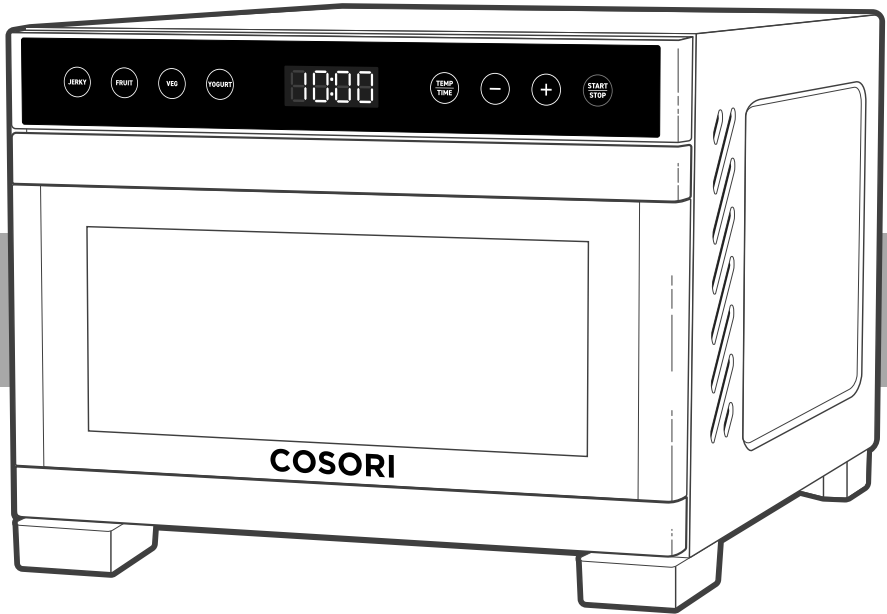


# COSORI®

## User Manual

### Premium Mini 5-Tray Food Dehydrator



#### Questions or Concerns?

support@cosori.com | 1-888-402-1684

Mon–Fri, 9:00 am–5:00 pm PST/PDT

 Thank you for  
your purchase! 

(We hope you love your new mini food dehydrator as much as we do)



### Get Creative with COSORI

Download the free VeSync app to access original recipes and video tutorials from the COSORI chefs, interact with our online community, and more!



*explore*

our digital recipe gallery  
[cosori.com](https://www.cosori.com)



*enjoy*

weekly, featured recipes  
*made exclusively by our in-house chefs*



### CONTACT OUR CHEFS

Our helpful, in-house chefs are ready to assist you with any questions you might have!

**Email:** [recipes@cosori.com](mailto:recipes@cosori.com)

**Toll-Free:** 1-888-402-1684

Mon–Fri, 9:00 am–5:00 pm PST/PDT

On behalf of all of us at COSORI,

*Happy cooking!*

## Table of Contents

Package Contents	3
Specifications	3
Important Safeguards	4
Getting To Know Your Dehydrator	6
Before First Use	8
Using Your Dehydrator	9
Care & Maintenance	13
Troubleshooting	14
Warranty Information	16
Customer Support	19

## Package Contents

1 x	Mini Stainless Steel Food Dehydrator
5 x	Tray
1 x	Fruit Roll Sheet
1 x	Mesh Screen
1 x	Recipe Book & Quick Start Guide
1 x	User Manual

## Specifications

<b>Model</b>	CFD-P501-SUS
<b>Power Supply</b>	AC 120V, 60Hz
<b>Rated Power</b>	480W
<b>Temperature Range</b>	95°–176°F / 35°–80°C
<b>Time Range</b>	30 min–48 hr
<b>Dimensions</b>	13.9 x 11.3 x 8.9 in / 35.3 x 28.8 x 22.6 cm
<b>Weight (Including Accessories)</b>	10.7 lb / 4.9 kg

# READ AND SAVE THESE INSTRUCTIONS

## IMPORTANT SAFEGUARDS

---

Follow basic safety precautions when using the dehydrator. Read all instructions.

### General Safety

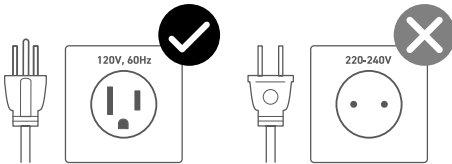
- **Do not** touch hot surfaces. Use handles.
- Be cautious when handling the back of the dehydrator. This area will be hotter than the rest of the dehydrator.
- **Do not** immerse cord, plug, or housing in water or other liquids.
- Close supervision is necessary when any appliance is used by or near children.
- **Do not** allow children to clean or perform maintenance on the dehydrator unless they are supervised.
- Children should be supervised to ensure that they do not play with the dehydrator.
- Unplug when not in use, and before cleaning. Allow to cool completely before putting on or taking off parts.
- **Do not** use the dehydrator if it is damaged, not working, or if the cord or plug is damaged. Contact **Customer Support** (see page 19).
- Using third-party parts or accessories may cause injuries.
- **Do not** use outdoors.
- **Do not** place on a stove, near gas or electric burners, or in a heated oven.
- Be extremely cautious when moving the dehydrator or removing trays if they contain hot liquid, oil, or grease.
- **Always** use heat-safe containers. Be extremely cautious if using containers that aren't metal or glass.
- **WARNING:** To reduce the risk of fire or electric shock, **do not** place oversized food or metal utensils in the dehydrator.
- **Do not** place paper, cardboard, or non-heat-resistant plastic into your dehydrator, or any materials which may catch fire or melt.
- **Do not** cover the trays or any part of the dehydrator with metal foil. This will cause the dehydrator to overheat.
- To disconnect, tap **START/STOP** to turn off the dehydrator, then remove the plug from the wall outlet.
- Keep the dehydrator away from flammable materials (curtains, tablecloths, etc). Use on a flat, stable, heat-resistant surface away from heat sources and liquids.
- **Do not** store anything on top of the dehydrator while in use.
- Avoid contact with moving parts. **Never** place any object into the openings in the screen protecting the dehydrator fan.
- This dehydrator is not intended for use by persons (including children) with reduced physical, sensory, or mental capabilities, or lack of experience and knowledge, unless they have been given supervision or instruction concerning use of the dehydrator by a person responsible for their safety.
- This dehydrator is not intended to be operated by means of an external timer or separate remote-control system.
- **Only** use the dehydrator as directed in this manual.
- Not for commercial use. Household use **only**.

## Care & Maintenance

- **Do not** clean with metal scouring pads. Metal fragments can break off the pad and touch electrical parts, creating a risk of electric shock.
- **Do not** run the dehydrator for more than 48 hours at a time. After 48 hours, unplug and allow to cool for 2 hours before using again.
- **Do not** store any materials other than COSORI recommended accessories in the dehydrator when not in use.
- For instructions on cleaning the accessories, see **Care & Maintenance** (page 13).

## Power & Cord

- **Do not** let cord (or any extension cord) hang over the edge of a table or counter, or touch hot surfaces.
- This dehydrator has a 3-prong grounding plug, and should **only** be used with 120V, 60Hz electrical systems in North America. **Always** plug in to a grounded electrical outlet. **Do not** modify the plug in any way.
- If the power-supply cord is damaged, it must be replaced by Arovast or similarly qualified persons in order to avoid an electric or fire hazard. Please contact **Customer Support** (page 19).
- **Do not** use with a 220–240V outlet.



## Extension Cords

- This dehydrator uses a short power-supply cord to reduce the risk of entangling or tripping. Use extension cords with care.
- If a longer extension cord is used:
  - The marked electrical rating of the cord set or extension cord should be at least as great as the electrical rating of the appliance (see page 3).
  - The cord should be arranged so that it will not drape over the countertop or tabletop where it can be pulled on by children or tripped over unintentionally.
  - The cord should be a grounding-type 3-wire cord.

## Electromagnetic Fields (EMF)

The COSORI Dehydrator complies with all standards regarding electromagnetic fields (EMF). If handled properly and according to the instructions in this user manual, the appliance is safe to use based on scientific evidence available today.

**Note:** Items marked with the following symbol may reach high temperatures and should be handled carefully.

## SAVE THESE INSTRUCTIONS

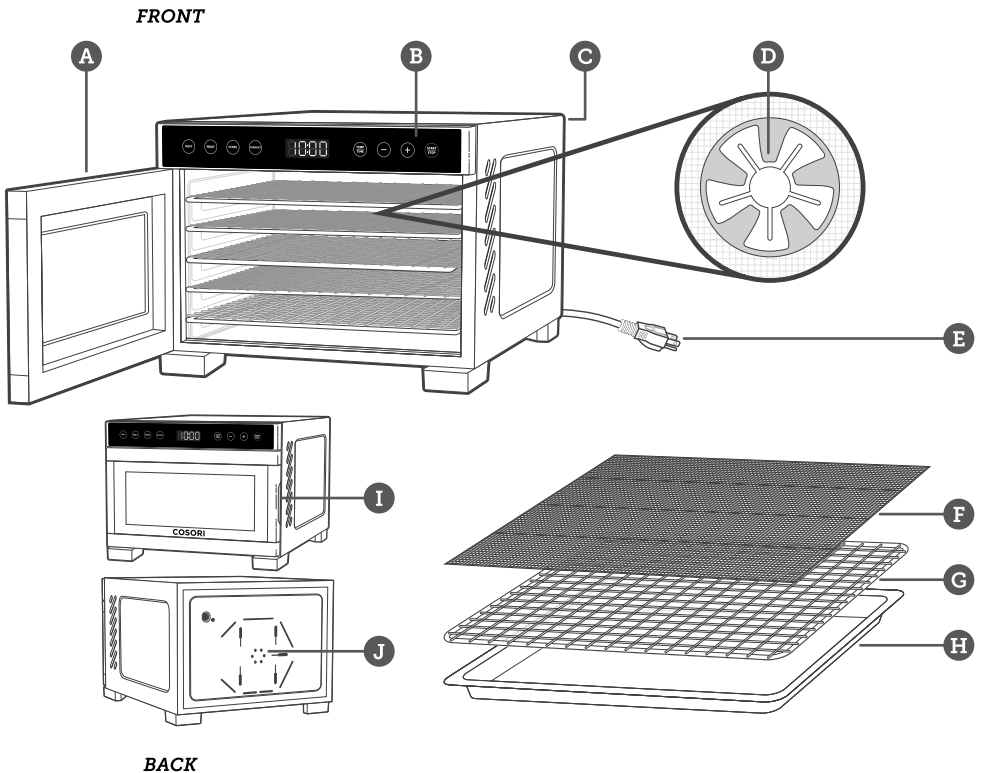


**CAUTION:** Hot surface.

# GETTING TO KNOW YOUR DEHYDRATOR

Your COSORI Mini Food Dehydrator features an automatic fan, which circulates warm air horizontally to evenly and quickly dry food. Dried foods are a great treat to snack on because they keep most of their nutritional value and flavor. Dehydrating is the perfect way to preserve snacks, fruit, vegetables, bread, and even flowers.

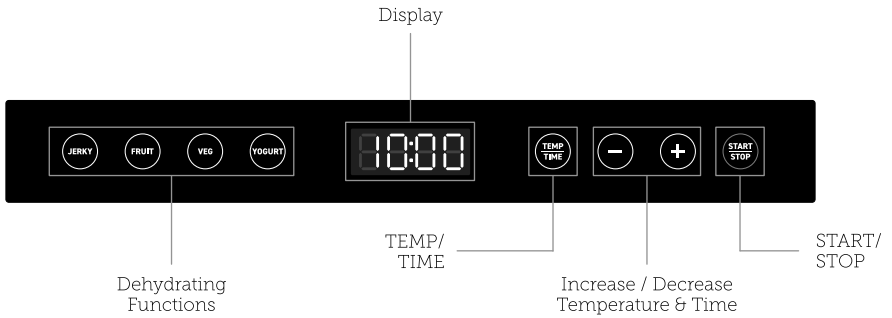
## Dehydrator Diagram



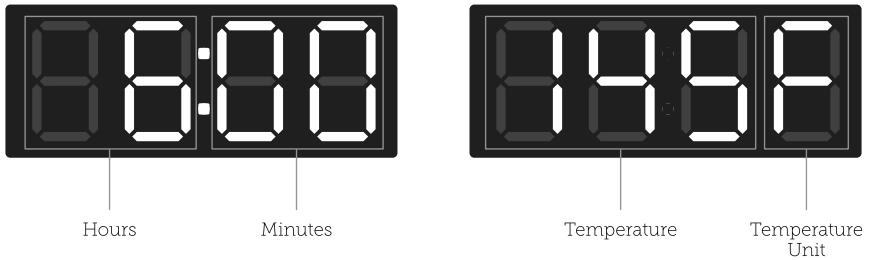
- |                  |                     |               |
|------------------|---------------------|---------------|
| A. Door          | E. Power Cord       | I. Air Outlet |
| B. Control Panel | F. Mesh Screen      | J. Air Inlet  |
| C. Housing       | G. Trays            |               |
| D. Fan           | H. Fruit Roll Sheet |               |

# Display Diagram

## Control Panel



## Display



## Controls

- Tap **START/STOP** to start or stop the dehydrator.
- Tap **TEMP/TIME** once and use the **+** and **-** buttons to change the temperature.
- Tap **TEMP/TIME** a second time and use the **+** and **-** buttons to change the time.
- Tap the dehydrating function (**JERKY, FRUIT, VEG, YOGURT**) you want to use. The dehydrator will automatically change to the function's default settings (see **Dehydrating Functions**, page 9).

# BEFORE FIRST USE

---

## Setting Up

1. Remove and discard all packaging from the dehydrator and its accessories.
2. Clean the housing, trays, and accessories with a damp cloth.

**Note:** The trays are dishwasher-safe. **Do not** wash the mesh screen or fruit roll sheet in a dishwasher.

3. Place the dehydrator on a solid, level surface. Plug in. Place the trays inside the dehydrator.
4. Tap **TEMP/TIME** and use the **+** button to adjust temperature to 176°F. Tap **TEMP/TIME** again and use the **-** button to adjust time to 30 minutes.

**Note:** The default setting is 130°F (55°C) and 8 hours.

5. Press **START/STOP** to run the dehydrator, without adding any food. Make sure that the room has sufficient ventilation in case the dehydrator produces any smoke or smells. This is normal.
6. Allow the dehydrator and trays to cool, then rinse the trays with water. Dry all parts.

**Note:** You only need to do this the first time you use the dehydrator.



# USING YOUR DEHYDRATOR

---

## Dehydrating Functions

Your mini food dehydrator includes 4 convenient dehydrating functions: Jerky, Fruit, Vegetable, and Yogurt. Functions are programmed with an ideal time and temperature for dehydrating certain foods (see **Dehydrating Chart**, page 10).

- Tap the button of the function you want to use. The dehydrator will automatically change to the function's default settings.
- You can customize any function's time (30 min–48 hr) and temperature (95°–176°F / 35°–80°C).

### To customize a function:

1. Tap the button of the function you want to customize.
2. Tap **TEMP/TIME** and use **+** or **–** to adjust the function's temperature. Tap **TEMP/TIME** again and use **+** or **–** to adjust the function's time.
3. To save, press and hold the function's button until you hear a beep.

#### **Note:**

- *Press and hold the **+** or **–** buttons to rapidly increase or decrease the time or temperature.*
- *If you do not tap **TEMP/TIME**, then tapping **+** or **–** will automatically change temperature.*

### To reset a function:

- Press and hold both the function's button and **TEMP/TIME** for 3 seconds until you hear a beep.

### To reset all functions:

- Press and hold both the **+** and **–** buttons for 3 seconds until you hear a beep.

# Dehydrating Chart

**Note:** Results may vary. For recipes and inspiration, check out the *Recipe Book*.

Function	Default Temperature	Default Time	Temperature Range	Time Range
JERKY	165°F / 73°C	4 hr	95°–176°F / 35°–80°C	30 min–48 hr
FRUIT	145°F / 62°C	6 hr	95°–176°F / 35°–80°C	30 min–48 hr
Vegetable (“VEG”)	135°F / 57°C	8 hr	95°–176°F / 35°–80°C	30 min–48 hr
YOGURT	110°F / 43°C	10 hr	95°–176°F / 35°–80°C	4–48 hr

## Operation

**Note:**

- Use the dehydrator in a warm, dry room, and place on a stable, level, heat-resistant surface.
- Depending on humidity in the air and moisture in the food, dehydration times may vary.

1. Place food on trays. Rearrange the trays to fit thicker food items. The trays can safely hold 7.7 lb / 3.5 kg of food. Avoid overloading the trays or overlapping food. Close the dehydrator door.

**Note:** To avoid scratching the inside of your dehydrator, insert the tray with the smooth side of the frame facing down [Figure 1.1].

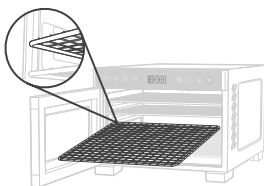


Figure 1.1

2. Plug in. The dehydrator will beep, and the display will light up for a second. The dehydrator will switch to Standby Mode, and the display will show “--:--”.
3. Select a dehydrating function. The dehydrator will automatically change to the function’s default settings.

**Note:** Functions are programmed with an ideal time and temperature for dehydrating certain foods.

4. Optionally, adjust the temperature and time manually. You can do this at any time.
  - a. Tap **TEMP/TIME** to adjust the temperature. Use **+** or **-** to change the temperature (95°–176°F / 35°–80°C).

**Note:** Temperature changes in 1°F / 1°C increments. Press and hold **+** or **-** to change the temperature rapidly.

- b. Tap **TEMP/TIME** again to adjust the time. Use **+** or **-** to change the time (0:30–48:00).

**Note:** Time changes in 30-minute increments. Press and hold **+** or **-** to change the time rapidly.

5. Tap **START/STOP** to start dehydrating. The dehydrator will start heating. **START/STOP** and the function's button (if selected) will stay lit, while the other buttons will turn off. Temperature and time will cycle on the display every 3 seconds for 3 minutes, then the display will only show time.

**Note:** If you tap **START/STOP** again to stop dehydration, the timer countdown will reset and the dehydrator will enter Standby Mode.

6. When the timer finishes, the display will show **End** and the dehydrator will stop heating. The dehydrator will beep 5 times and the fan will cool down for 5 seconds.
7. Use a kitchen towel, heat-resistant glove, or oven mitt to handle the trays.
8. Allow the dehydrator to cool before cleaning.

## Accessories

The dehydrator comes with 2 accessories: a fruit roll sheet and a mesh screen.

### Fruit Roll Sheet

- Use for making fruit rolls and strips from fresh, frozen, or canned fruit. You can also use this sheet for pouring purée onto a tray.
- This sheet can also be placed on the bottom of the dehydrator to catch any dripping liquids to make cleaning easier.

### Mesh Screen

- Use for foods that shrink when dried. This screen will prevent them from falling through tray grates.

## How to Use Accessories

1. Place the accessory on a dehydrator tray. Place food on the accessory.
2. Once the food is dehydrated, remove the tray and lift the accessory out of the tray.
3. Remove food. Bending the mesh screen is helpful for removing sticky foods.

## Tips

- Fruit and vegetables dried in the dehydrator will look different from those sold in stores. This is because homemade dried foods do not use preservatives, artificial coloring, or artificial additives.
- Check out the Recipe Book and Quick Start Guide for more tips on dehydrating food.

## Sound On/Off

- To turn sounds on/off, press and hold **+**, **-**, and **TEMP/TIME** for 3 seconds until you hear a beep.

## Fan

- To use only the fan without heat, press and hold **JERKY, FRUIT**, and **VEG** for 3 seconds until you hear a beep.

## Switching Temperature Units

1. Press and hold **TEMP/TIME** for 3 seconds.
2. The dehydrator will beep once, and the temperature unit will change from Fahrenheit to Celsius.
3. Repeat to switch back to Fahrenheit.

## Standby Mode

- The dehydrator will enter Standby Mode after you plug in the appliance, after you tap **START/STOP** to stop dehydration, and after 3 minutes of no operation.
- The display will show "--:--" when in Standby Mode.
- Tap any button to turn on the display and resume operation.
- To turn off the dehydrator, tap **START/STOP** to stop dehydration, then remove the plug from the outlet.

## Overheat Protection

- Overheating is rare. If the dehydrator overheats, it will automatically shut down as a safety feature and can no longer be used. Contact **Customer Support** (see page 19).

# CARE & MAINTENANCE

---

**Note:** **Do not** clean any part of the dehydrator with abrasive chemicals or metal scouring pads, as this will damage the surface.

1. Unplug the dehydrator and allow it to cool before cleaning.
2. Soak trays in hot, soapy water for easy removal of food residue.
3. If needed, use a soft brush to clean.

**Note:** The trays are dishwasher-safe. **Do not** wash the mesh screen or fruit roll sheet in a dishwasher.

4. Clean the dehydrator housing with a damp cloth.
5. Dry all parts before storing or using the dehydrator.

# TROUBLESHOOTING

---

Problem	Possible Solution
<b>The dehydrator will not turn on or the fan is not working.</b>	Unplug the dehydrator and plug it in again.
	The dehydrator may be damaged or malfunctioning. Contact <b>Customer Support</b> (see page 19).
<b>“E1” or “E2” appears on the display.</b>	The dehydrator may be damaged or malfunctioning. Contact <b>Customer Support</b> (see page 19)
<b>Food is dried unevenly.</b>	Cut foods evenly to ensure that they all finish drying at the same time. Avoid overlapping the food.
	Follow the recipes and tips in the Recipe Book.

**If your problem is not listed**, please contact **Customer Support** (see page 19).

# FEDERAL COMMUNICATION COMMISSION INTERFERENCE STATEMENT - PART 15

---

This device complies with Part 15 of the FCC Rules. Operation is subject to the following two conditions:

1. This device may not cause harmful interference, and
2. This device must accept any interference received, including interference that may cause undesired operation.

NOTE: This equipment has been tested and found to comply with the limits for a Class B digital device, pursuant to Part 15 of the FCC Rules. These limits are designed to provide reasonable protection against harmful interference in a residential installation. This equipment generates, uses and can radiate radio frequency energy and, if not installed and used in accordance with the instructions, may cause harmful interference to radio communications. However, there is no guarantee that interference will not occur in a particular installation. If this equipment does cause harmful interference to radio or television reception, which can be determined by turning the equipment off and on, the user is encouraged to try to correct the interference by one or more of the following measures:

- Reorient or relocate the receiving antenna.
- Increase the separation between the equipment and receiver.
- Connect the equipment into an outlet on a circuit different from that to which the receiver is connected.
- Consult the dealer or an experienced radio/TV technician for help.

**FCC Caution:** Any changes or modifications not expressly approved by the party responsible for compliance could void the user's authority to operate this equipment.

## FCC SUPPLIER'S DECLARATION OF CONFORMITY (SDOC)

---

Arovast Corporation hereby declares that this equipment is in compliance with FCC requirements. The declaration of conformity may be consulted in the support section of our website, accessible from [www.cosori.com](http://www.cosori.com)

# WARRANTY INFORMATION

<b>Product Name</b>	Premium Mini 5-Tray Food Dehydrator
<b>Model</b>	CFD-P501-SUS
<i>For your own reference, we strongly recommend that you record your order ID and date of purchase.</i>	
<b>Date of Purchase</b>	
<b>Order ID</b>	

## TERMS & POLICY

Register your products at <https://warranty.cosori.com/warranty> to stay up to date with important product information such as product updates, limited warranties, usage and maintenance recommendations, and notifications concerning safety warnings or product recalls. Registration is not required to claim your limited warranty.

### Two (2) Year Limited Consumer Product Warranty

Arovast Corporation ("Arovast") warrants that the product shall be free from defects in material and workmanship for a period of **2 years from the date of original purchase** ("Limited Warranty Period"), provided the product was used in accordance with its use and care instructions (e.g. in the intended environment and under normal circumstances).

### Your Limited Warranty Benefits

During the Limited Warranty Period and subject to this limited Warranty Policy, Arovast will, in its sole and exclusive discretion, either (i) refund the purchase price if the purchase was made directly from the online COSORI store, (ii) repair any defects in material or workmanship, (iii) replace the product with another product of equal or greater value, or (iv) provide store credit in the amount of the purchase price.

### Who Is Covered?

This limited warranty extends only to the original consumer purchaser of the product and is not transferable to any subsequent owner of the product, regardless of whether the product transferred ownership during the specified term of the limited warranty. The original consumer purchaser must provide verification of the defect or malfunction and proof of the date of purchase to claim the Limited Warranty Benefits.

### Be Aware of Unauthorized Dealers or Sellers

This limited warranty does not extend to products purchased from unauthorized dealers or sellers. Arovast's limited warranty only extends to products purchased from authorized dealers or sellers that are subject to Arovast's quality controls and have agreed to follow its quality controls. Please be aware, products purchased from an unauthorized website or dealer may be counterfeit, used, defective, or may not be designed for use in your country. You can protect yourself and your products by making sure you only purchase from Arovast or its authorized dealers.

If you have any questions about a specific seller, or if you think you may have purchased your product from an unauthorized seller, please contact our Customer Support via [support@cosori.com](mailto:support@cosori.com).

### What's Not Covered?

- Normal wear and tear, including parts that might wear out over time (e.g. batteries, filters, cleaning brush, essential oil pads, etc.).
- If the proof-of-purchase has been altered in any way or is made illegible.
- If the model number, serial number or production date code on the product has been altered, removed or made illegible.



- If the product has been modified from its original condition.
- If the product has not been used in accordance with directions and instructions in the user manual.
- Damages caused by connecting peripherals, additional equipment or accessories other than those recommended in the user manual.
- Damages or defects caused by accident, abuse, misuse, or improper or inadequate maintenance.
- Damages or defects caused by service or repair of the product performed by an unauthorized service provider or by anyone other than Arovast.
- Damages or defects occurring during commercial use, rental use, or any use for which the product is not intended.
- If the unit has been damaged, including but not limited to damage by animals, lightning, abnormal voltage, fire, natural disaster, transportation, dishwasher, or water (unless the user manual expressly states that the product is dishwasher-safe).
- Incidental and consequential damages.
- Damages or defects exceeding the cost of the product.

### **Claiming Your Limited Warranty Service in 5 Simple Steps:**

1. Make sure your product is within the specified limited warranty period.
2. Make sure you have a copy of the invoice and order ID or proof-of-purchase.
3. Make sure you have your product.  
**DO NOT** dispose of your product before contacting us.
4. Contact our Customer Support team via support@cosori.com.
5. Once our Customer Support team has approved your request, please return the product with a copy of the invoice and order ID.

### **Sole and Exclusive Remedy**

THE FOREGOING LIMITED WARRANTY CONSTITUTES AROVAST CORPORATION'S EXCLUSIVE LIABILITY, AND YOUR SOLE AND EXCLUSIVE REMEDY, FOR ANY BREACH OF ANY WARRANTY OR OTHER NONCONFORMITY OF THE PRODUCT COVERED BY THIS LIMITED PRODUCT WARRANTY STATEMENT. THIS LIMITED WARRANTY IS EXCLUSIVE, AND IN LIEU OF ALL OTHER WARRANTIES. NO EMPLOYEE OF AROVAST CORPORATION OR ANY OTHER PARTY IS AUTHORIZED TO MAKE ANY WARRANTY IN ADDITION TO THE LIMITED WARRANTY IN THIS LIMITED PRODUCT WARRANTY STATEMENT.

### **Disclaimer of Limited Warranties**

TO THE FULLEST EXTENT PROVIDED BY APPLICABLE LAW, EXCEPT AS WARRANTED IN THIS LIMITED PRODUCT WARRANTY POLICY, AROVAST CORPORATION PROVIDES THE PRODUCTS YOU PURCHASE FROM AROVAST CORPORATION "AS IS" AND AROVAST CORPORATION HEREBY DISCLAIMS ALL WARRANTIES OF ANY KIND, WHETHER EXPRESS OR IMPLIED, STATUTORY, OR OTHERWISE, INCLUDING BUT NOT LIMITED TO ANY WARRANTIES OF MERCHANTABILITY, NON-INFRINGEMENT, AND FITNESS FOR PARTICULAR PURPOSE.

## **Limitations of Liability**

TO THE FULLEST EXTENT PROVIDED BY APPLICABLE LAW, IN NO EVENT WILL AROVAST CORPORATION, ITS AFFILIATES, OR THEIR LICENSORS, SERVICE PROVIDERS, EMPLOYEES, AGENTS, OFFICERS, OR DIRECTORS BE LIABLE FOR:

(a) DAMAGES OF ANY KIND ARISING OUT OF OR IN CONNECTION WITH PRODUCTS PURCHASED FROM AROVAST CORPORATION IN EXCESS OF THE PURCHASE PRICE PAID BY THE PURCHASER FOR SUCH PRODUCTS, OR

(b) INDIRECT, SPECIAL, INCIDENTAL, CONSEQUENTIAL, OR PUNITIVE DAMAGES EVEN IF AROVAST CORPORATION OR ONE OF ITS SUPPLIERS HAS BEEN ADVISED OF THE POSSIBILITY OR LIKELIHOOD OF SUCH DAMAGES.

AND REGARDLESS OF WHETHER CAUSED BY TORT (INCLUDING NEGLIGENCE), BREACH OF CONTRACT, OR OTHERWISE, OUR LIABILITY SHALL UNDER NO CIRCUMSTANCES EXCEED THE ACTUAL AMOUNT PAID BY YOU FOR THE DEFECTIVE PRODUCT, NOR SHALL WE UNDER ANY CIRCUMSTANCES BE LIABLE FOR ANY CONSEQUENTIAL, INCIDENTAL, SPECIAL OR PUNITIVE DAMAGES OR LOSSES, WHETHER DIRECT OR INDIRECT.

EXCEPT AS COVERED BY THIS LIMITED PRODUCT WARRANTY STATEMENT, AROVAST CORPORATION SHALL NOT BE LIABLE FOR COSTS ASSOCIATED WITH THE REPLACEMENT OR REPAIR OF PRODUCTS PURCHASED FROM IT, INCLUDING, BUT NOT LIMITED TO, LABOR, INSTALLATION, OR OTHER COSTS INCURRED BY THE USER AND, IN PARTICULAR, ANY COSTS RELATING TO THE REMOVAL OR REPLACEMENT OF ANY PRODUCT.

## **OTHER RIGHTS YOU MAY HAVE**

SOME JURISDICTIONS DO NOT ALLOW FOR: (1) EXCLUSION OF IMPLIED WARRANTIES; (2) LIMITATION ON THE DURATION OF IMPLIED WARRANTIES; AND/OR (3) EXCLUSION OR LIMITATION OF INCIDENTAL OR CONSEQUENTIAL DAMAGES; SO THE DISCLAIMERS IN THIS POLICY MAY NOT APPLY TO YOU. IN THESE JURISDICTIONS YOU HAVE ONLY THE IMPLIED WARRANTIES THAT ARE EXPRESSLY REQUIRED TO BE PROVIDED IN ACCORDANCE WITH APPLICABLE LAW. THE LIMITATIONS OF WARRANTIES, LIABILITY, AND REMEDIES APPLY TO THE MAXIMUM EXTENT PERMITTED BY LAW.

ALTHOUGH THIS LIMITED WARRANTY GIVES YOU SPECIFIC LEGAL RIGHTS, YOU MAY HAVE OTHER RIGHTS IN YOUR JURISDICTION. THIS STATEMENT OF LIMITED WARRANTY IS SUBJECT TO APPLICABLE LAWS THAT APPLY TO YOU AND THE PRODUCT. PLEASE REVIEW THE LAWS IN YOUR JURISDICTION TO UNDERSTAND YOUR RIGHTS FULLY.

## **CHANGES TO THIS POLICY**

We may change the terms and availability of this limited warranty at our discretion, but any changes will not be retroactive.

This warranty is made by:

### **AROVAST CORPORATION**

1202 N. Miller St., Suite A  
Anaheim, CA 92806, USA

# CUSTOMER SUPPORT

---

If you have any questions or concerns about your new product, please contact our helpful Customer Support Team.

**Arovast Corporation**

1202 N. Miller St., Suite A  
Anaheim, CA 92806, USA

**Email:** [support@cosori.com](mailto:support@cosori.com)

**Toll-Free:** 1-888-402-1684

**Support Hours**

Mon–Fri, 9:00 am–5:00 pm PST/PDT

*\*Please have your invoice and order ID ready before contacting Customer Support.*

# COSORI®

**Questions or Concerns?**

Mon–Fri, 9:00 am–5:00 pm PST/PDT  
support@cosori.com | 1-888-402-1684